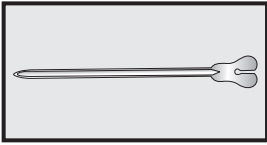




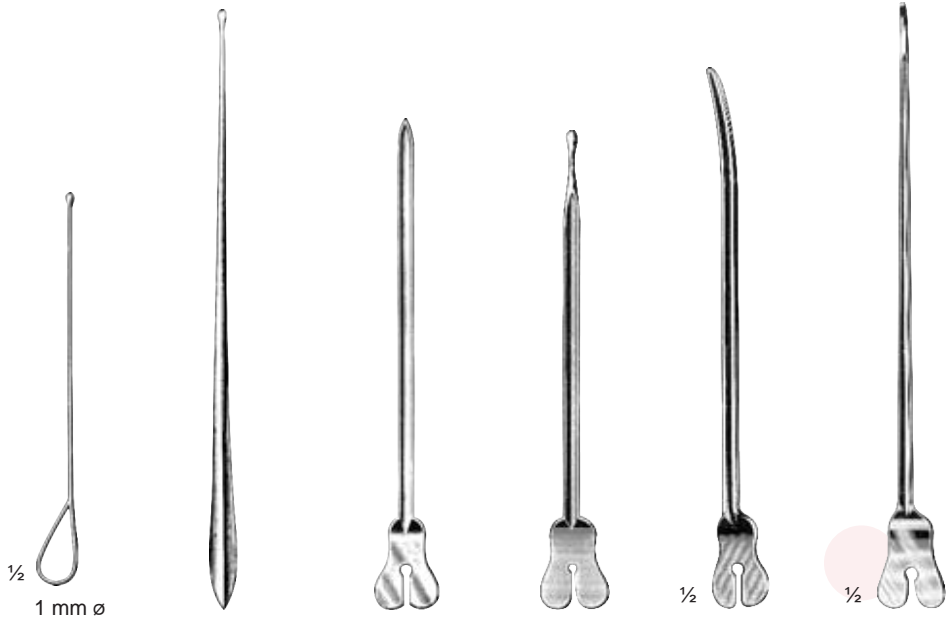
7

# Probes, Trocars, Suction Tubes

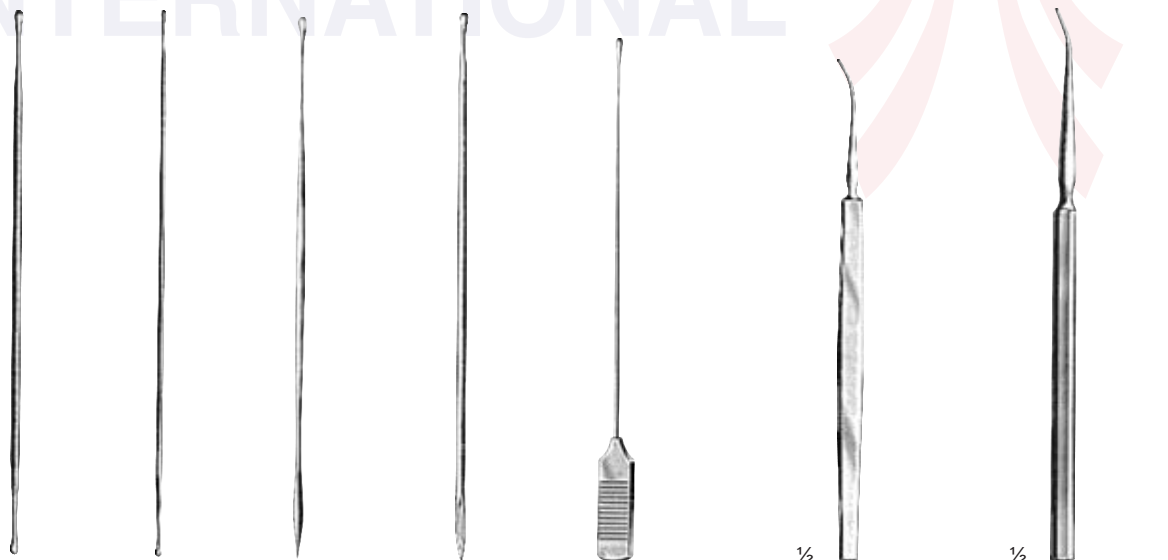




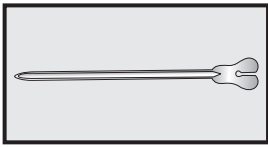
Skeeters, Probes and Directors



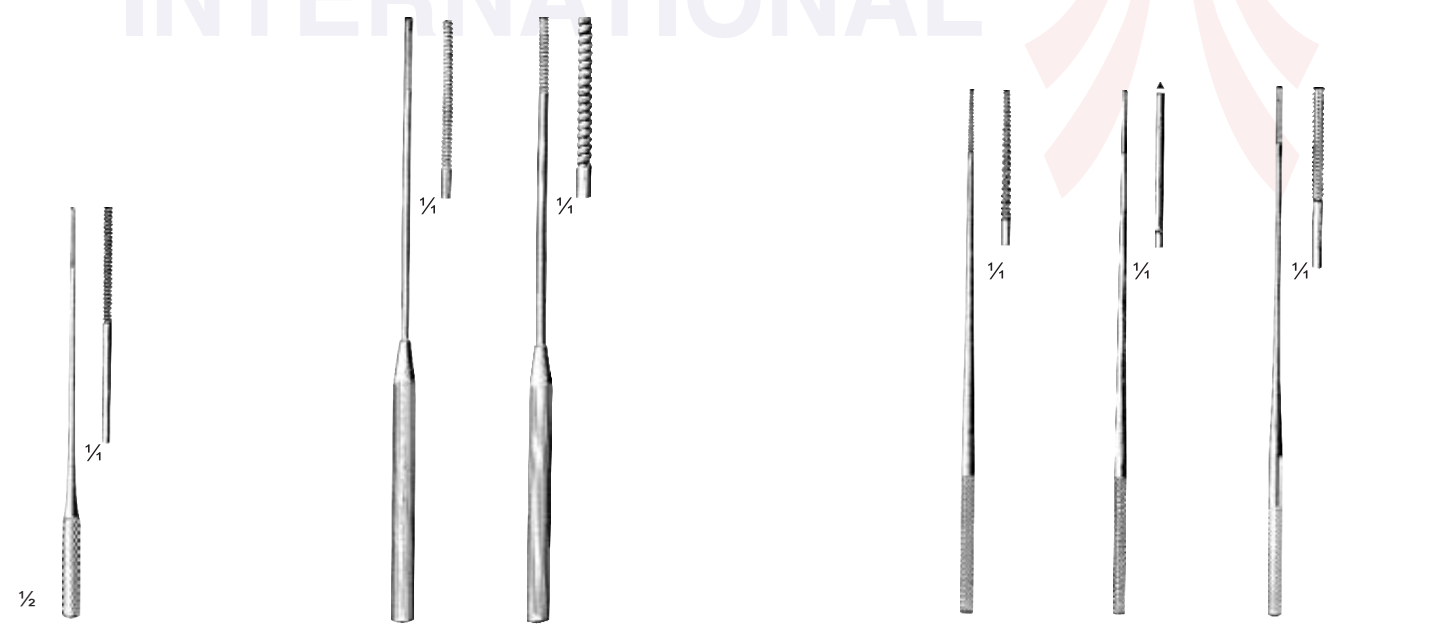
cm	in.	Stacke	Doyen	Nelaton	
10.5	4 ¼	DC07-001-10			
11.5	4 ½		DC07-005-11		
13.0	5		DC07-005-13	DC07-007-13	
14.0	5 ½			DC07-009-14	
14.5	5 ½	DC07-003-14	DC07-005-14	DC07-007-14	
16.0	6 ¼	DC07-003-16	DC07-005-16	DC07-007-16	DC07-011-16
18.0	7		DC07-005-18	DC07-007-18	
20.0	8		DC07-005-20		



cm	in.	2 mm ø	1 mm ø	2 mm ø	2 mm ø	2 mm ø	Fish	Kronecker	Johns-Hopkins
11.5	4 ½	DC07-013-11	DC07-015-11			DC07-019-11		DC07-023-13	DC07-025-15
13.0	5	DC07-013-13	DC07-015-13	DC07-017-13		DC07-019-13			
14.5	5 ½	DC07-013-14	DC07-015-14	DC07-017-14		DC07-019-14	DC07-021-14		
16.0	6 ¼	DC07-013-16	DC07-015-16	DC07-017-16		DC07-019-16			
18.0	7	DC07-013-18	DC07-015-18			DC07-019-18	DC07-021-18		
20.0	8	DC07-013-20	DC07-015-20			DC07-019-20			
25.0	10	DC07-013-25				DC07-019-25			



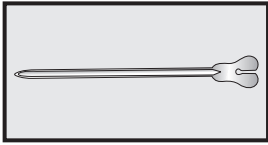
Plaster Spatulas, Cotton Applicators



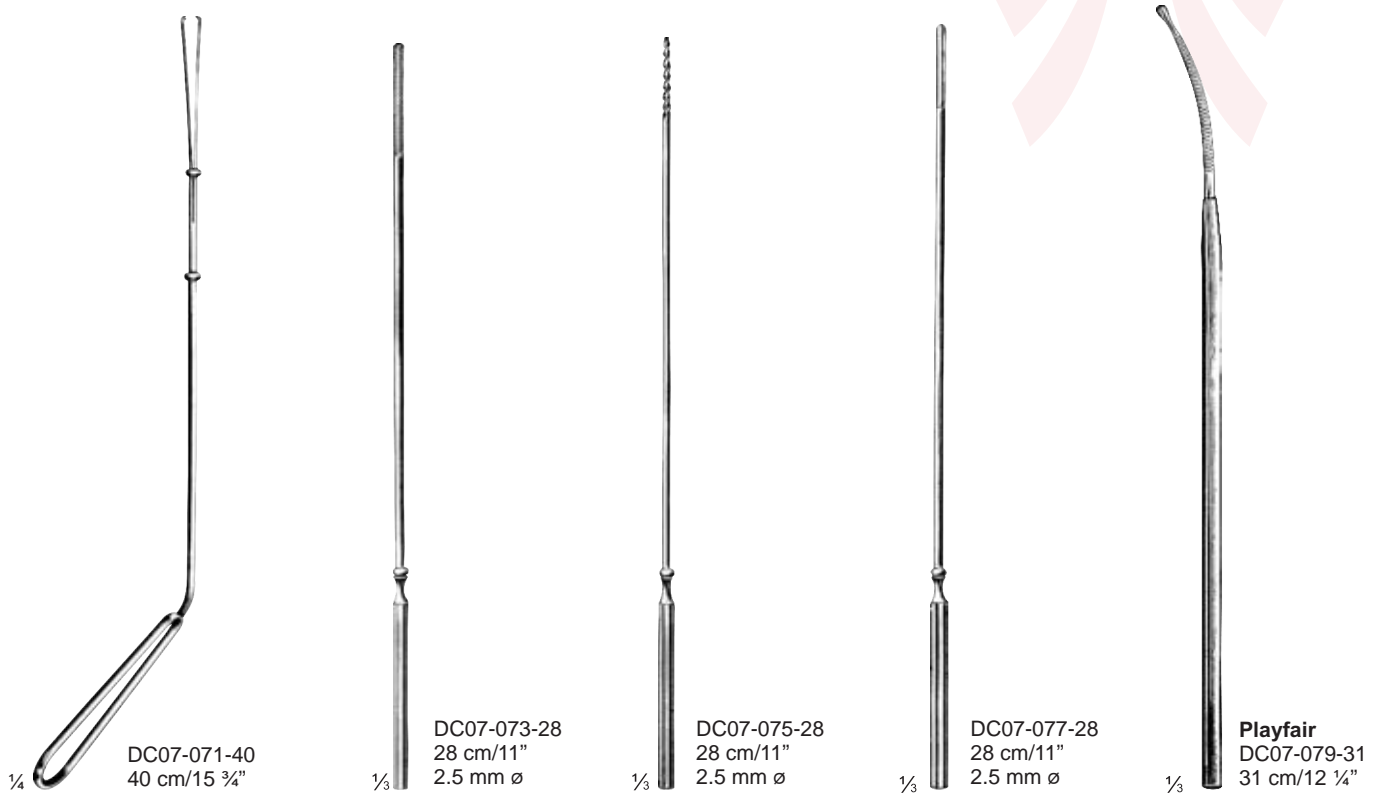
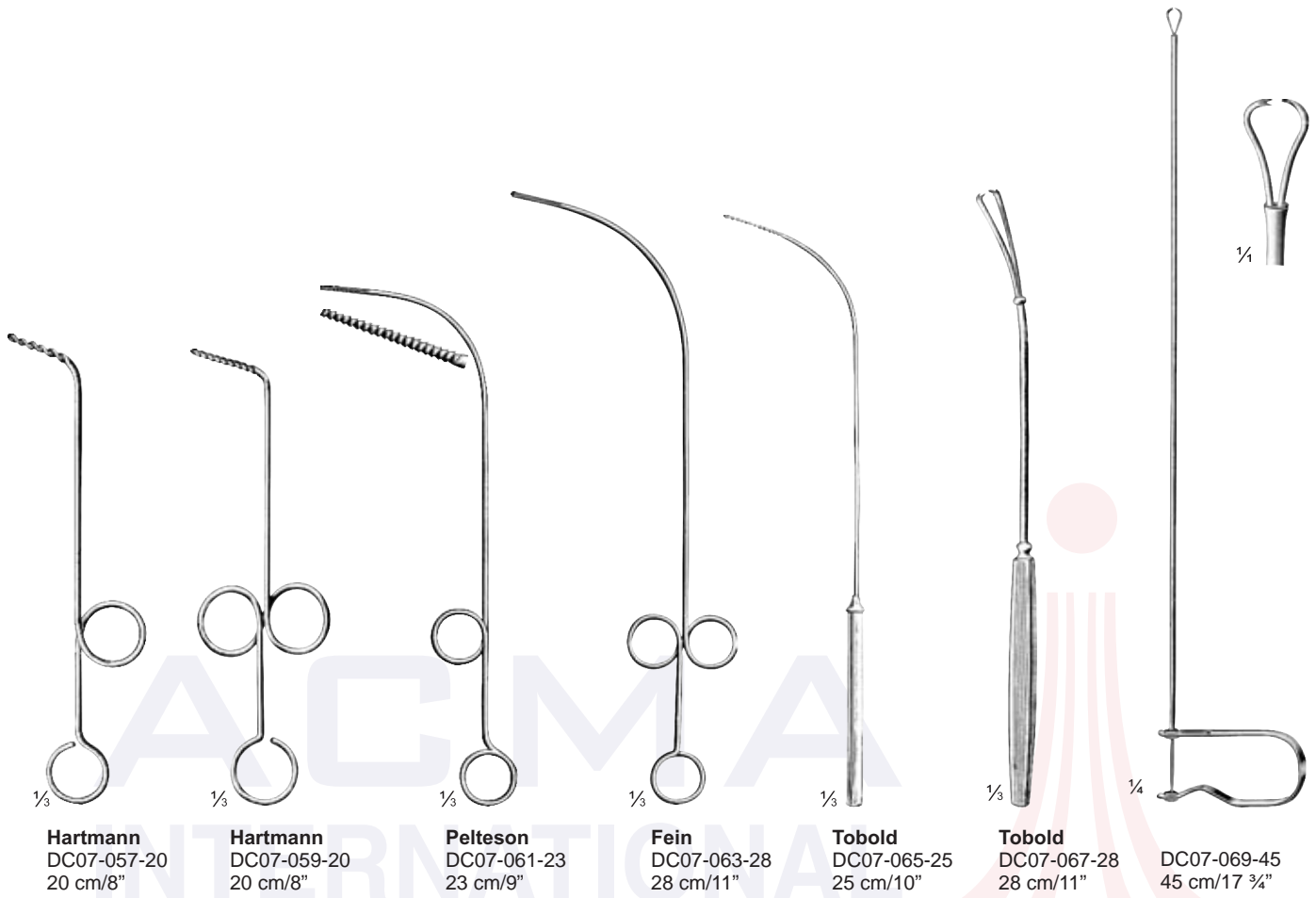
**Ziegler**  
DC07-045-11  
11 cm/4 ½"  
1.3 mm ø

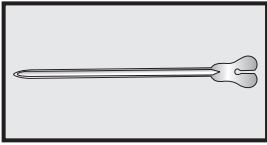
cm	in.	1.2 mm ø	1.7 mm ø
12.5	5	DC07-047-12	DC07-049-12
16	6 ¼	DC07-047-16	DC07-049-16

cm	in.	mm ø	Farrell (Lathbury-Uebe)
12	4 ¾	0.9	DC07-051-12    DC07-053-12    DC07-055-12
14	5 ½	0.9	DC07-051-14    DC07-053-14    DC07-055-14
16 ½	6 ½	1.1	DC07-051-16    DC07-053-16    DC07-055-16
18	7	1.2	DC07-051-18    DC07-053-18    DC07-055-18
23	9	1.3	DC07-051-23    DC07-053-23    DC07-055-23



Cotton Applicators, Sponge Holders, Cotton Carrier for Rectoscopes





Suction Tubes



**Poole**  
DC07-081-22  
22 cm/8 3/4", 10mm Ø  
(Charr./Fr.30)



**Poole**  
DC07-083-22  
22 cm/8 3/4", 8 mm Ø  
(Charr./Fr.23)

Ø6 mm

Ø4 mm

1/2

**Andrew-Pynchon**  
24 cm/9 1/2"  
DC07-085-24

Ø8 mm

Ø5 mm

1/2

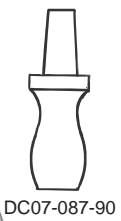
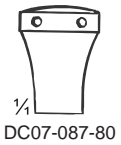
**Baby-Yankauer**  
21 cm/8 1/4"  
DC07-087-21

Ø10 mm

Ø6 mm

1/4

**Yankauer**  
29.5 cm/11 1/2"  
DC07-087-29



ACMA  
INTERNATIONAL

**Frazier**

13 cm/5"

DC07-089-20=2.0mm Ø Charr. 6  
DC07-089-27=2.7mm Ø Charr. 8  
DC07-089-33=3.3mm Ø Charr. 10  
DC07-089-40=4.0mm Ø Charr. 12

17 cm/6 3/4"

DC07-091-20=2.0mm Ø Charr. 6  
DC07-091-27=2.7mm Ø Charr. 8  
DC07-091-33=3.3mm Ø Charr. 10  
DC07-091-40=4.0mm Ø Charr. 12



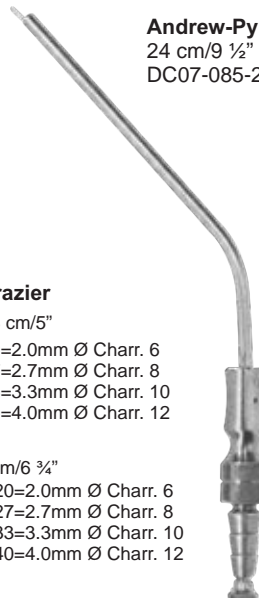
**Frazier**

13 cm/5"

DC07-093-20=2.0mm Ø Charr. 6  
DC07-093-27=2.7mm Ø Charr. 8  
DC07-093-33=3.3mm Ø Charr. 10  
DC07-093-40=4.0mm Ø Charr. 12

17 cm/6 3/4"

DC07-095-20=2.0mm Ø Charr. 6  
DC07-095-27=2.7mm Ø Charr. 8  
DC07-095-33=3.3mm Ø Charr. 10  
DC07-095-40=4.0mm Ø Charr. 12



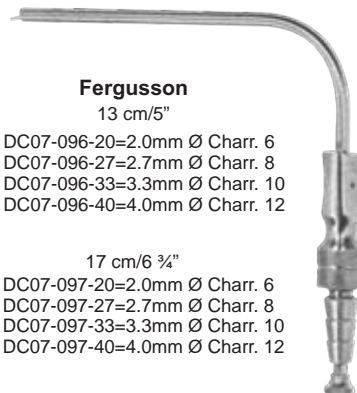
**Fergusson**

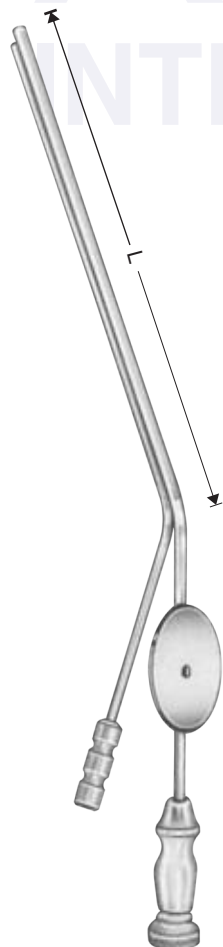
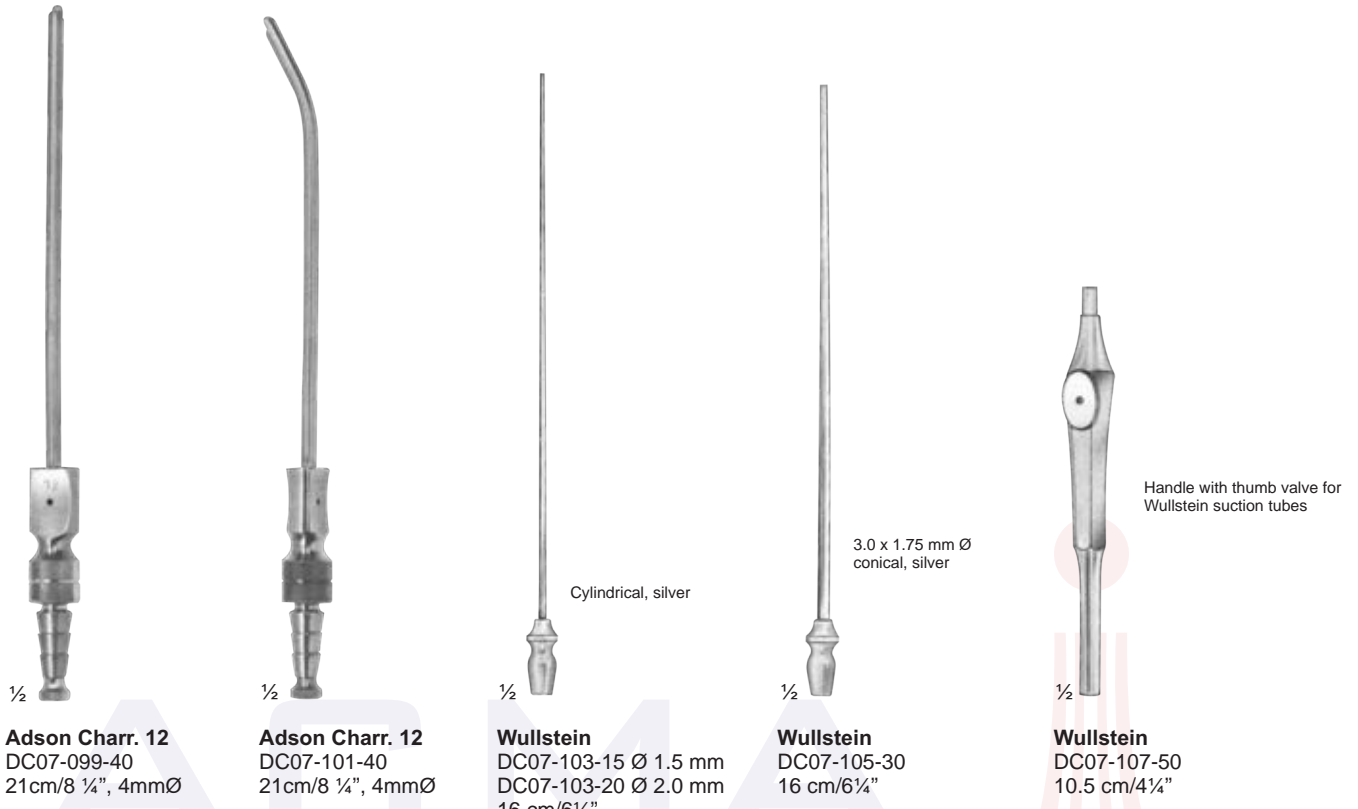
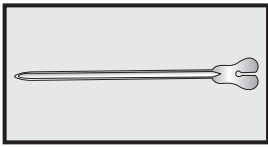
13 cm/5"

DC07-096-20=2.0mm Ø Charr. 6  
DC07-096-27=2.7mm Ø Charr. 8  
DC07-096-33=3.3mm Ø Charr. 10  
DC07-096-40=4.0mm Ø Charr. 12

17 cm/6 3/4"

DC07-097-20=2.0mm Ø Charr. 6  
DC07-097-27=2.7mm Ø Charr. 8  
DC07-097-33=3.3mm Ø Charr. 10  
DC07-097-40=4.0mm Ø Charr. 12



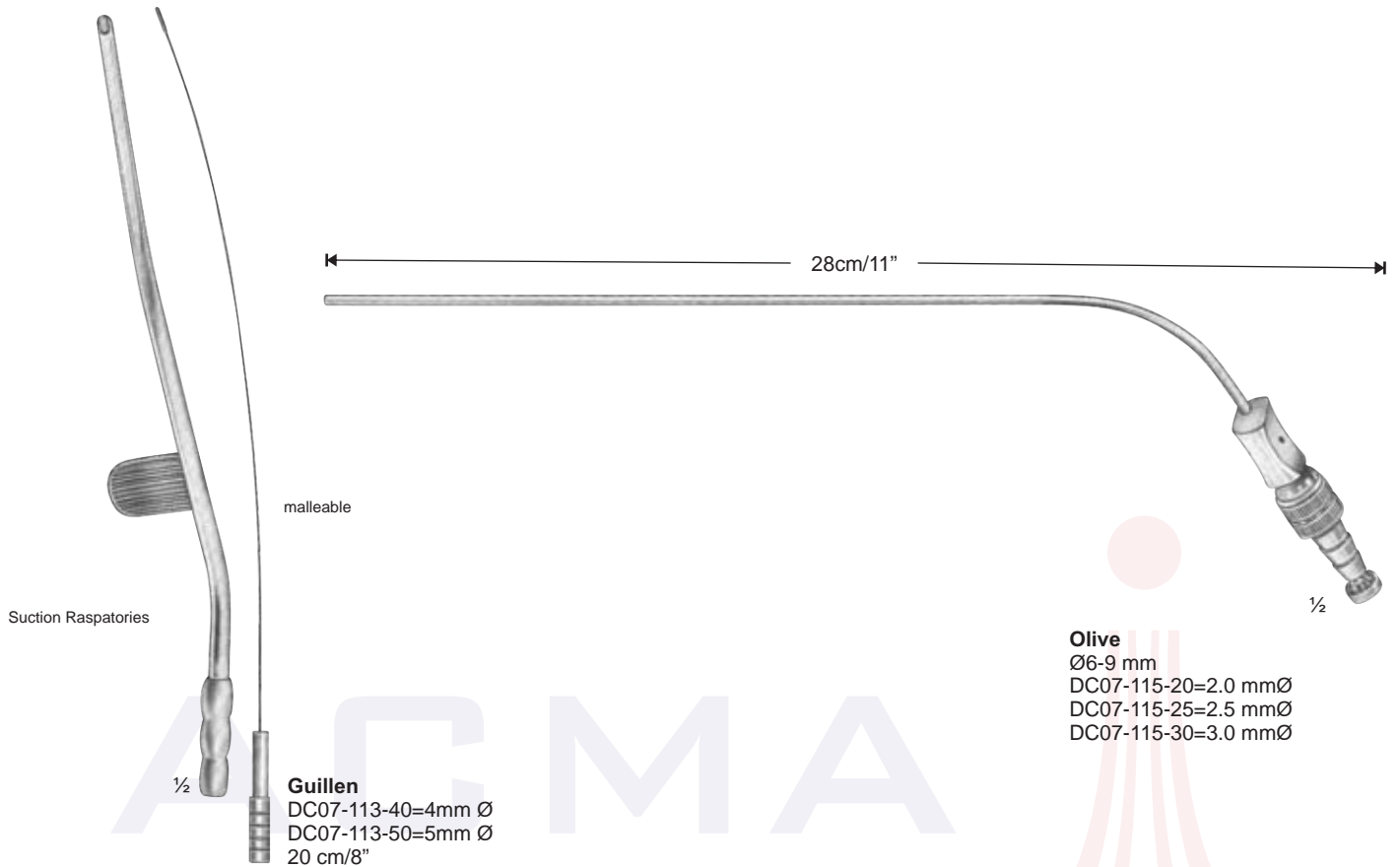
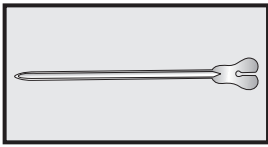


Irrigation and suction Instruments, with thumb valve

L = 9cm/3 1/2"

L = 18cm/7"

Suction tube		Irrigation tube		Suction tube		Irrigation tube	
mmØ		mmØ		mmØ		mmØ	
0.9	X	0.7	DC07-109-09				
1.2	X	0.9	DC07-109-12				
1.5	X	1.2	DC07-109-15				
1.8	X	1.8	DC07-109-18	1.8	X	1.8	DC07-111-18
2.5	X	2.0	DC07-109-25	2.5	X	2.0	DC07-111-25
3.0	X	2.0	DC07-109-30	3.0	X	2.0	DC07-111-30
4.5	X	2.0	DC07-109-45				



**Olive**  
Ø6-9 mm  
DC07-115-20=2.0 mmØ  
DC07-115-25=2.5 mmØ  
DC07-115-30=3.0 mmØ

Trocars

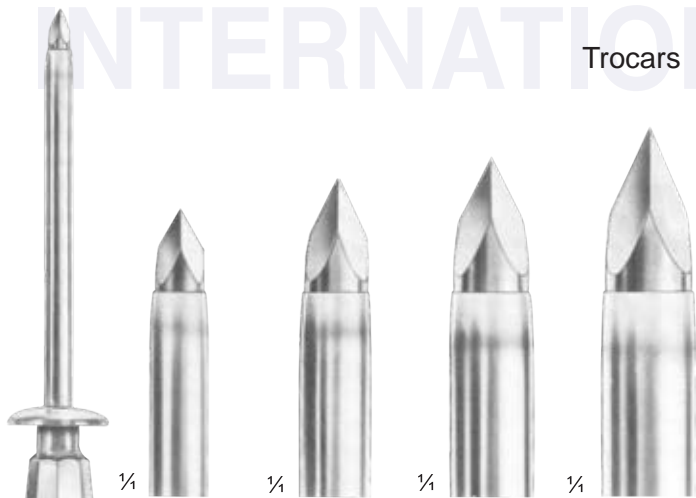
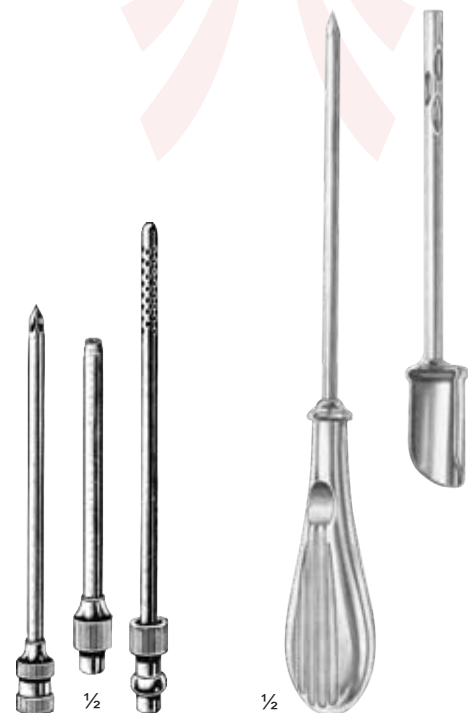


Fig. 1 DC07-117-07  
Fig. 2 DC07-119-09  
Fig. 3 DC07-121-11  
Fig. 4 DC07-123-12



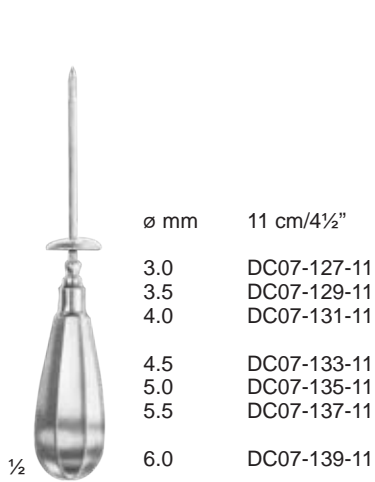
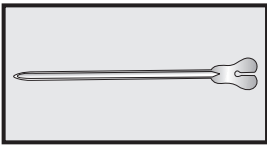
**Nelson**  
21 cm/8 1/2"



**Duke**  
DC07-125-11  
11 cm/4 1/2"  
5.5 mm ø

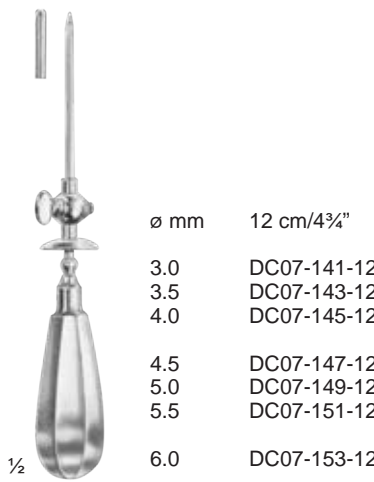
**Brich**  
DC07-126-18  
18 cm/7"  
4.5 mm ø

Trocars



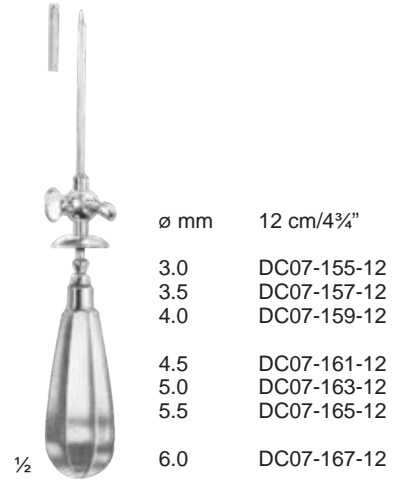
Standard

ø mm	11 cm/4½"
3.0	DC07-127-11
3.5	DC07-129-11
4.0	DC07-131-11
4.5	DC07-133-11
5.0	DC07-135-11
5.5	DC07-137-11
6.0	DC07-139-11



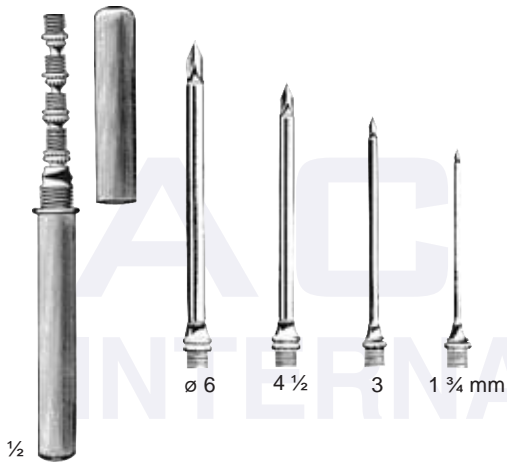
Standard

ø mm	12 cm/4¾"
3.0	DC07-141-12
3.5	DC07-143-12
4.0	DC07-145-12
4.5	DC07-147-12
5.0	DC07-149-12
5.5	DC07-151-12
6.0	DC07-153-12



Standard

ø mm	12 cm/4¾"
3.0	DC07-155-12
3.5	DC07-157-12
4.0	DC07-159-12
4.5	DC07-161-12
5.0	DC07-163-12
5.5	DC07-165-12
6.0	DC07-167-12



Universal  
DC07-169-03 set of 3 Pieces  
DC07-171-04 set of 4 pieces



Universal  
DC07-173-03 set of 3 Pieces  
DC07-175-04 set of 4 pieces



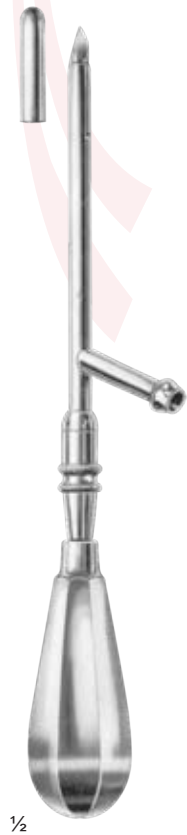
Ochsner  
mm ø

4.0	DC07-177-10
5.5	DC07-179-14
6.5	DC07-181-14



Billroth  
mm ø

5.0	DC07-183-20
6.0	DC07-185-20



Emmet  
mm ø Charr./Fr.

6.0	18	DC07-187-25
8.7	26	DC07-189-25
10.0	30	DC07-191-25